



Meaningful Innovation.

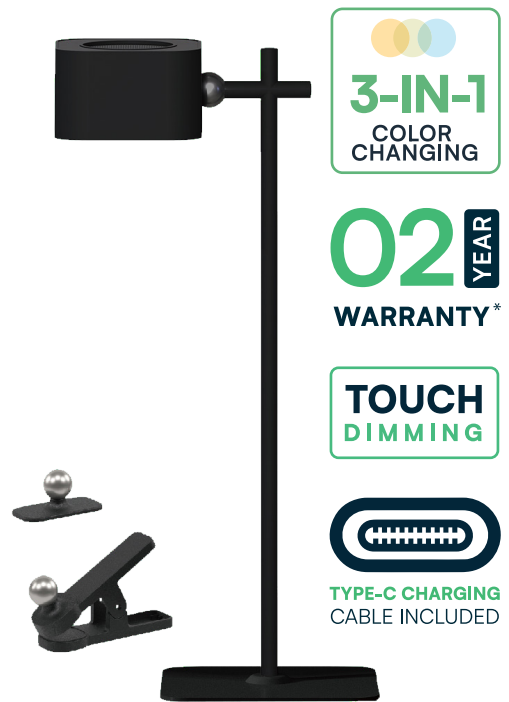
WEEE Number: 80133970

INSTRUCTION MANUAL

LED MAGNETIC TABLE LAMP
UP & DOWN LIGHT

TECHNICAL DATA

MODEL	VT-10115
SKU	23410, 23411
POWER	2.5W+0.5W
RATED INPUT	5V
LUMENS	220+80Lm
BEAM ANGLE	45°
CRI	≥80
PROTECTION RATING	IP20
LIFE SPAN	25,000 Hours
STEPLESS DIMMABLE	10-100%
MATERIAL	Metal+ABS+PC
DIMENSION	353x110



BATTERY	CHARGING TIME	WORKING TIME
1800 mAh Li-ion Battery	2-3 Hours	Maximum Light >4 Hours Minimum Dark > 15 Hours

INTRODUCTION & WARRANTY

Thank you for selecting and buying V-TAC product. V-TAC will serve you the best. Please read these instructions carefully before starting the installation and keep this manual handy for future reference. If you have any another query, please contact our dealer or local vendor from whom you have purchased the product. They are trained and ready to serve you at the best. The warranty is valid for 2 years from the date of purchase. The warranty does not apply to damage caused by incorrect installation or abnormal wear and tear. The company gives no warranty against damage to any surface due to incorrect removal and installation of the product. The products are suitable for 10-12 Hours Daily operation. Usage of product for 24 Hours a day would void the warranty. This product is warranted for manufacturing defects only.



MULTI-LANGUAGE MANUAL QR CODE

Please scan the QR code
to access the manual in
multiple languages.



FR
Cet appareil,
ses accessoires,
cordons et batteries
se recyclent

À DÉPOSER
EN MAGASIN

À DÉPOSER
EN DÉCHÈTERIE



Points de collecte sur www.quefairedemesdechets.fr
Privilégiez la réparation ou le don de votre appareil !

In case of any query/issue with the product, please reach out to us at: support@v-tac.eu
For More products range, inquiry please contact our distributor or nearest dealers.
V-TAC EUROPE LTD. Bulgaria, Plovdiv 4000, bul.L.Karavelow 9B

WARNING

1. Please make sure to turn off the power before starting the installation.
2. The light source of this luminaire is not replaceable, when the light source reaches its end of life the whole luminaire should be replaced.
3. For indoor use only.



This marking indicates that this product should not be disposed of with other household wastes.



Caution, risk of electric shock.

PRODUCT STRUCTURE

Magnetic ball head

On/Off
Dimming Touch Switch

Metal bracket

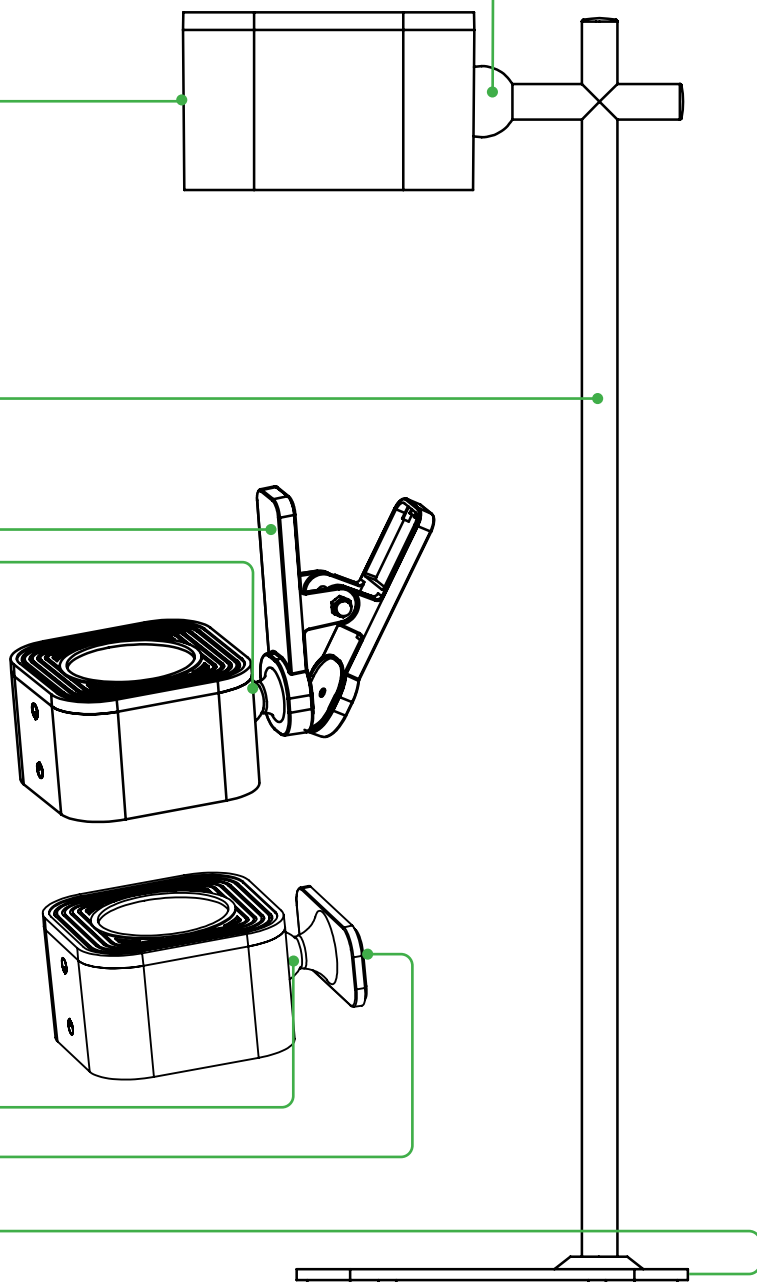
ABS holder

Magnetic
ball head

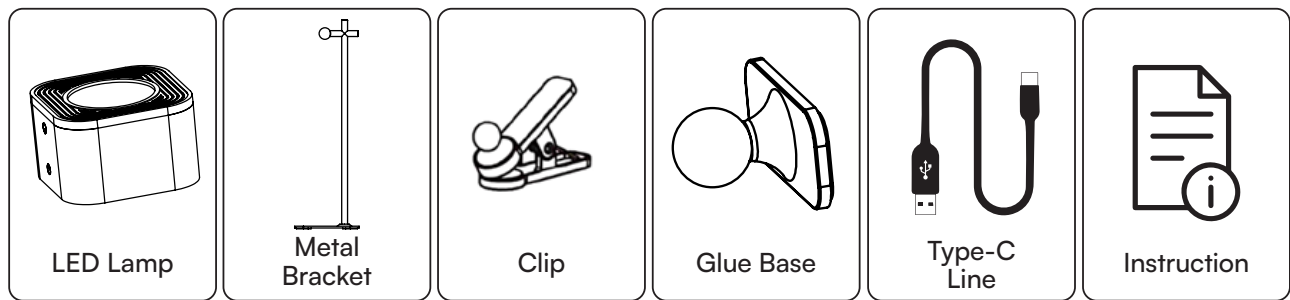
Magnetic ball head

Glue base

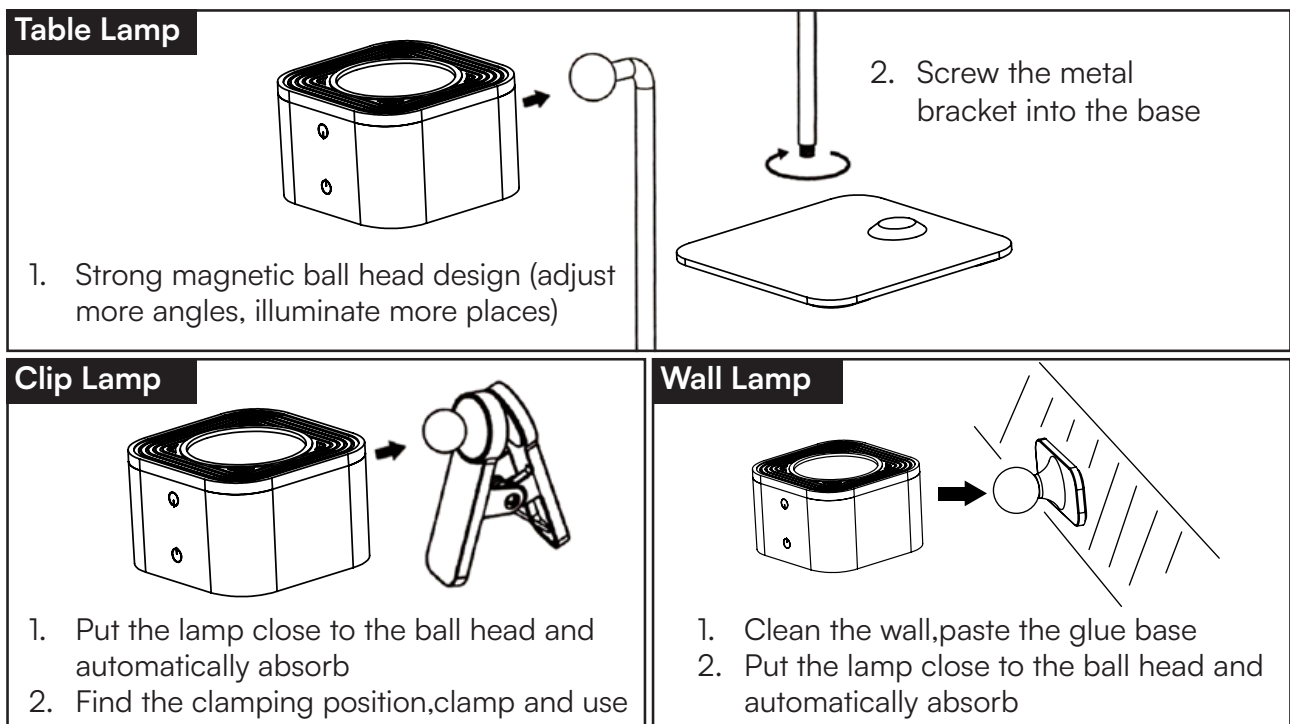
USB-C Connector



PACKAGE CONTENTS



INSTALLATION INSTRUCTION



Continuously touch the key, the main light changes in turn” on -> low -> medium -> high -> off” cycle selection.

Power hint: red light when charging, green light when full.

OPERATION CAUTIONS

1. Don't connect with dimming sensing device
2. Don't use the lamp in a humid or flammable environment.
3. Don't pull the power plug when your hands are wet to prevent electric shock
4. Don't cover the lamp with objects to prevent the lamp from being damaged or causing danger.

