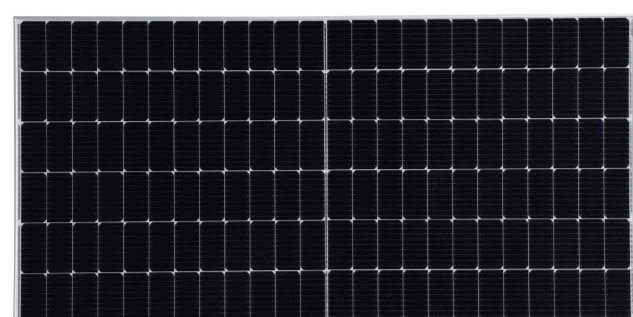


INSTALLATION INSTRUCTION
MONO SOLAR PANEL

TECHNICAL DATA:

Model	V1-450	V1-540
Rated Maximum Power (Pmax)	450W	540W
Tolerance (Tol)	0±3%	0±3%
Voltage at Pmax (Vmp)	41.2V	41.3V
Current at Pmax (Imp)	10.85A	13A
Open-Circuit Voltage (Voc)	48.30V±5%	49.90V±5%
Short-Circuit Current (Isc)	11.04A±3%	13.92A±3%
Nominal Operating Cell Temperature (NOCT)	45±2°C	45±2°C
Maximum System Voltage	1500VDC	1500VDC
Maximum Series Fuse Rating	20A	25A
Operating Temperature	-40°C to 85°C	-40°C to 85°C
Output Cables	40m² cable 35mm (including MC4 connector)	-
Application Class	Class A	-
Cell Technology/Number of Cells	Half Mono/144 cells	
Body Type	Aluminum Alloy & Tempered Glass	
Dimension	289x1308x35mm	227x1134x35mm



INTRODUCTION & WARRANTY

Thank you for selecting and buying V-TAC product. V-TAC will serve you the best. Please read these instructions carefully before starting the installation and keep this manual handy for future reference. If you have any other enquiry, please contact our dealer or local vendor from whom you have purchased the product. They are trained and ready to serve you at the best. The warranty is valid for 10 years from the date of purchase. The warranty does not apply to damage caused by incorrect installation or abnormal wear and tear. The company gives no warranty against damage to any surface due to incorrect removal and installation of the product. This product is warranted for manufacturing defects only.

WARNING!

1. Please make sure to turn off the power before starting the installation.
2. Installation must be performed by a qualified electrician.
3. The light source of this luminaire is not replaceable, when the light source reaches its end of life the whole luminaire should be replaced.
4. If the external flexible cable or cord of this luminaire is damaged, it shall be exclusively replaced by the manufacturer or his service agent or a similar qualified person in order to avoid a hazard.
5. Proper grounding should be ensured throughout the installation.

This marking indicates that this product should not be disposed of with other household wastes.



Caution, risk of electric shock.



MULTI-LANGUAGE MANUAL QR CODE

Please scan the QR code to access the manual in multiple languages.

Position of installation connecting points

Low/normal load working condition applies to most environments: the maximum static load for backside is 1600Pa*1.5 (equal to wind pressure) and the maximum static pressure for the front side is 1600Pa*1.5 (for 4 camps installation) (equal to wind pressure and snow pressure).

Higher load applies to severe environments (such as wind storm, heavy snow): the maximum static load for backside is 1600Pa*1.5 (equal to wind pressure) and the maximum static pressure for the front side is 3600Pa*1.5 (for 6 camps installation) (equal to wind pressure and snow pressure).

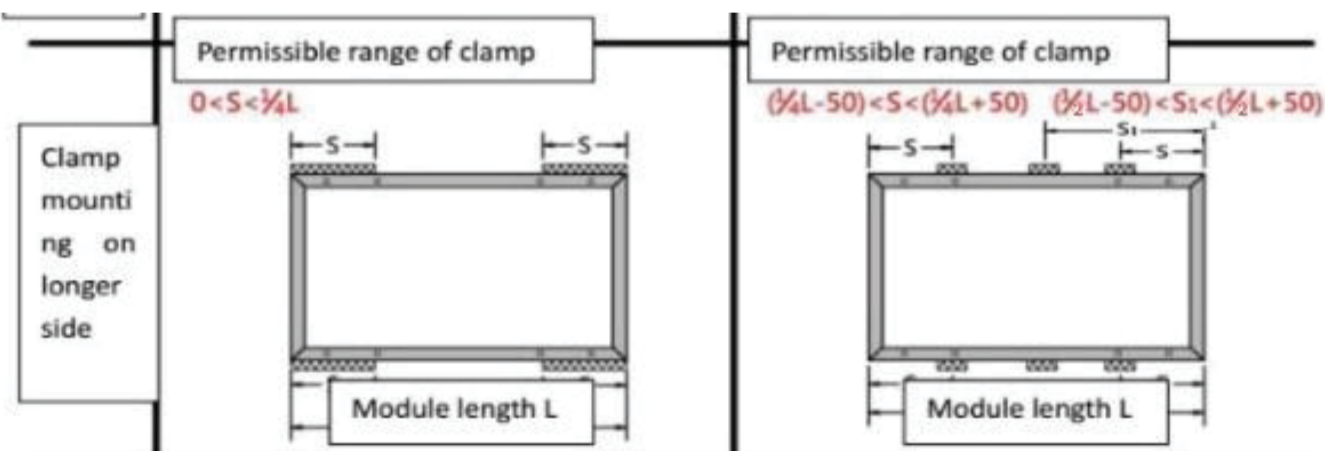


Figure 4 Position requirements of connecting points

Electric installation

Electric performance

Module electric performance parameters such as Isc, Voc and Pmax nominal values have ±3% error with those under standard testing conditions of: irradiance of 1000 W/m², cell temperature of 25°C and air mass of AM1.5. Under normal conditions, a photovoltaic module is likely to experience conditions that produce more current and/or voltage than reported at standard test conditions. The requirements of the National Electrical Code (NEC) in Article 690 shall be followed to address these increased outputs. In installations not under the requirements of the NEC, the values of Isc and Voc marked on this module should be multiplied by a factor of 1.25 when determining component voltage ratings, conductor ampacities, overcurrent device ratings, and size of controls connected to the PV output.

When modules are in series connection, the final voltage is sum of that of the single module. When modules are in parallel connection, the final current is sum of the single module. See Figure 5.

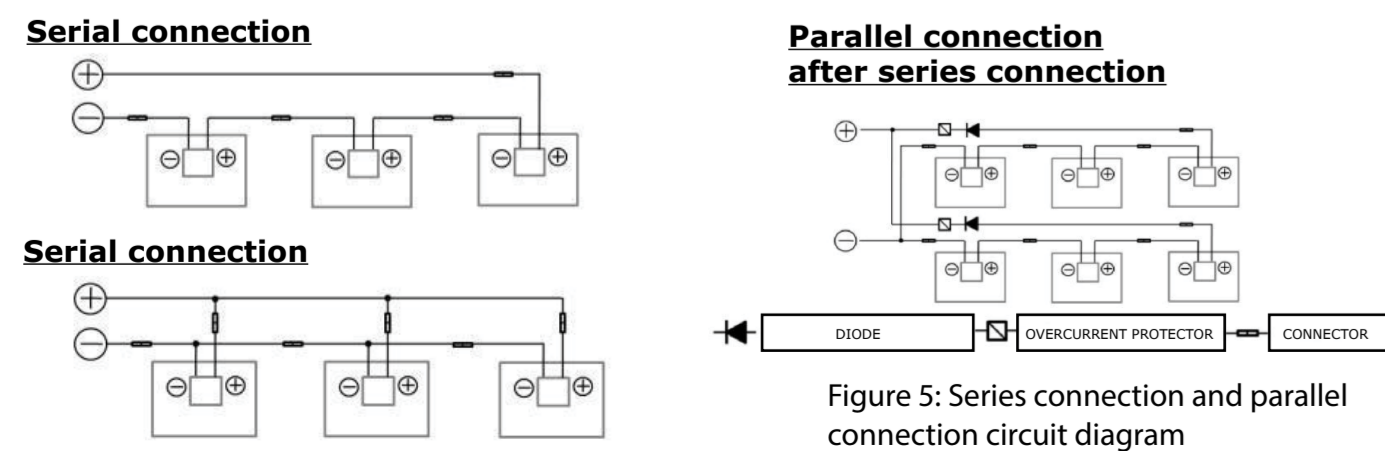


Figure 5: Series connection and parallel connection circuit diagram

INTRODUCTION

This installation manual does not entail any explicit or implicit quality warranty and does not stipulate on compensation schemes for losses, module damages or other costs caused by or related to module installation, operation, utilization and maintenance process. If patent rights or the third party rights are infringed by use of modules, V-TAC will not take any responsibility. V-TAC reserves the rights for modifying product manual or installation manual without notice in advance.

If customers fail to install modules as per requirements set forth in this manual, the quality warranty provided for customers during sales will become invalid. In addition, suggestions in this manual are to improve safety of module installation, which are tested and proved by practices. Please provide this manual to PV system users for reference to and advise them of safety, operation and maintenance requirements and suggestions.

Laws and regulations

Mechanical and electrical installation of PV modules shall follow proper regulations such as electric law, building law and electric connecting requirements. These regulations differ with different installation sites, such as building roofing installation, vehicle-mounted application. Requirements may also differ with installation system voltage, DC or AC. See specific clauses in local authorities.

Module identification

Each module is pasted with 3 labels providing information below:
 1. Nameplate: It describes product type, standard rated power, rated current, rated voltage, open circuit voltage, short circuit current under testing conditions, certification indicator, maximum system voltage, etc.
 2. Current level label: Divide modules as per their optimal working current and there are values: H, M or L (H means the highest current level). The best practice is to install modules with the same current level (such as H) in one strand in the device installation.
 3. Serial No.: Each module has a unique serial number which is solidified inside the module permanently and it can be seen from front top of the module. Each serial number is put in before laminating of the module.

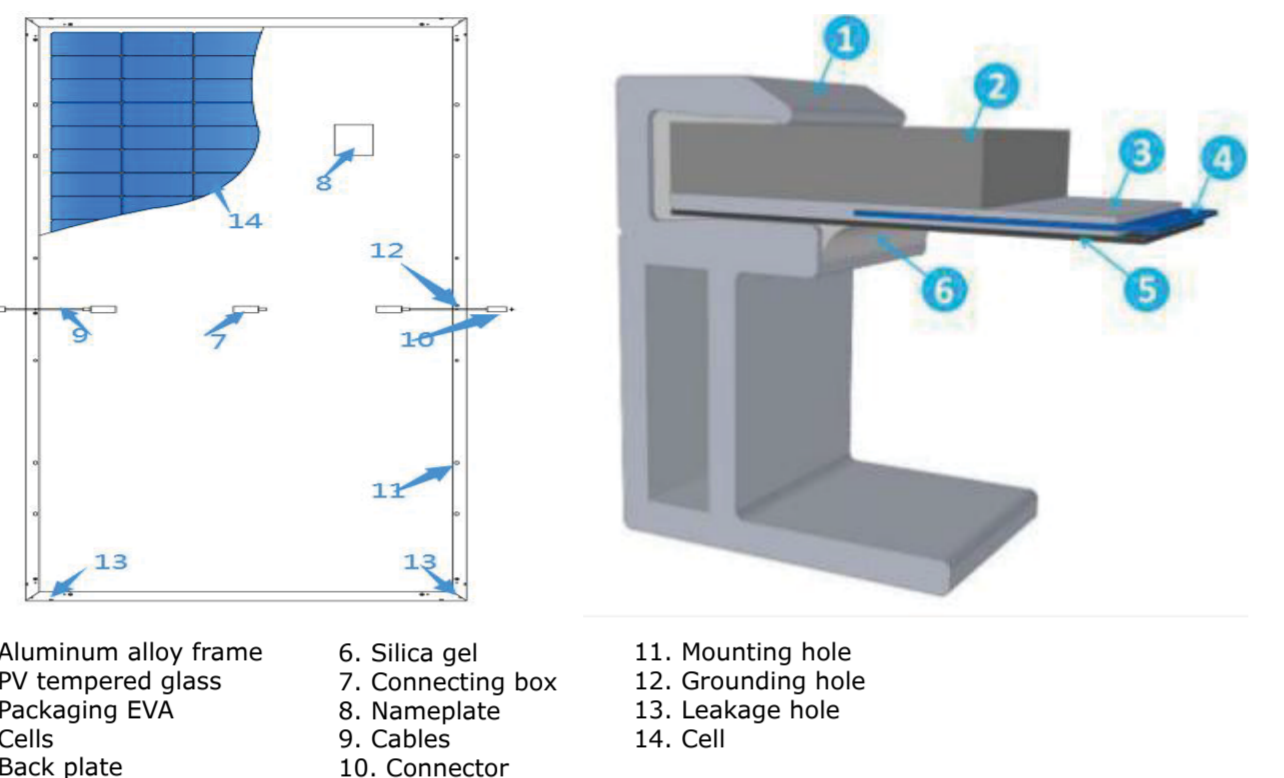


Figure 1 Module Section Structure and Components

- | | | |
|-------------------------|-------------------|--------------------|
| 1. Aluminum alloy frame | 6. Silica gel | 11. Mounting hole |
| 2. PV tempered glass | 7. Connecting box | 12. Grounding hole |
| 3. Packaging EVA | 8. Nameplate | 13. Leakage hole |
| 4. Cells | 9. Cables | 14. Cell |
| 5. Back plate | 10. Connector | |

Regular safety

V-TAC module is considered to be in compliance with IEC61215 and IEC61730 only when the module is mounted in the manner specified by the mounting instructions below.

When the module is installed on roof, it is necessary to take the overall fire rating of the finished structure as well as later overall maintenance into account. The roofing PV system shall be installed after assessment by professional experts or engineers and with official analysis results for the entire structure. It shall be proved capable of supporting extra system bracket pressure, including PV module weight.

For your safety, please do not work on the roof without safety protective measures which include but not limited to fall protection, ladder or stair and personal protective articles. For your safety, please do not install or handle modules in unfavorable conditions including but not limited to strong wind or gust, damp or sandy roofs.

Electric performance safety

PV products will produce DC in the sunlight, so there may be electric shock or burning when touching module connecting line metals. 30V DC voltage or higher voltage can be fatal.

In case of no connected load or external circuits, modules can also produce voltage. Please use insulation tools and wear rubber gloves when operating modules in the sunlight.

PV modules do not have switch. PV modules can only stop work when they are kept from sunlight or covered by cloth, hard board or light-proof materials or when front side of modules are placed on smooth and flat surfaces.

To avoid electric arc or electric shock hazards, please do not break down electric connection in loaded conditions. Wrong connections will also lead to electric arc or shock. Keep connectors dry and clean and make sure that they are in good working condition. Do not insert other metals into the connectors or carry out electric connection by whatever means.

Snow and water in surrounding environments will intensify light reflection and lead to increase of current and output power. And module voltage and power will increase under low temperature.

If module glass or packaging materials are damaged, please wear personal protective articles and isolate modules from the circuit.

Working is only allowed in dry conditions by means of dry tools. Do not operate when modules are wet unless you wear proper electric shock protection device. Please operate following the cleaning requirements in this manual when cleaning modules.

Operation safety

Do not open V-TAC Package in transportation and storage process unless the modules arrive at the installation site.
 Do not damage the package and do not make packaged modules on pallet fall directly.
 Do not exceed the highest layer limit indicated on the packaging carton when piling modules up.
 Put packaging carton in the ventilated, rain-proof and dry places before unpacking of modules.
 Open V-TAC's packaging carton following unpacking instructions.
 Do not hold the connecting box or wires to lift the entire module in any cases.
 Do not stand or walk on modules.
 Do not pile one module onto another.

To avoid glass damage, do not put heavy objects on module glass.
 Be careful when placing modules on a surface and at corners in particular.
 Do not try to unpack the module or remove nameplate or parts of modules.
 Do not paint surface of modules or apply any other glues.
 Do not damage, grab or scratch back film of modules.
 Do not drill frame of modules, which may reduce frame loading capacity or lead to frame corrosion.
 Do not scratch anodic coating of aluminum alloy frame except for grounding connection.
 Scratch may lead to frame corrosion and reduce frame loading capacity.
 Do not repair glass or modules whose back film is damaged on your own.

Fire safety

Please consult local laws and regulations before installing modules and abide by requirements on building fire protection. Fire rating of V-TAC modules is TypeC according to IEC61730.
 The roof shall be coated with a layer of fireproof materials of such rating for roofing installation and make sure that the back plate and the mounting surface are fully ventilated.
 Difference of roofing structures and installation modes will affect fireproof performance of buildings. Improper installation may lead to fire disaster.
 To guarantee roof fire rating, the module frame shall be at least 10cm from the roof surface.
 Adopt proper module accessories such as fuse, circuit breaker and grounding connector according to local regulations.
 The fire rating of this module is valid only when mounted in the manner specified in the mechanical mounting instructions.
 Please do not use modules if there are exposed inflammable gases nearby.

Installation conditions

Installation site and working environments

The modules can only be used on earth but not in outer space.
 Do not focalize sunlight with mirrors or magnifying glass artificially onto modules.

V-TAC modules shall be installed on proper buildings or other appropriate places (such as ground, garage, building outer wall, roof, PV tracking system) but shall not be installed on any mobile vehicles.

Do not install modules at such places as that are possible to be submersed. V-TAC suggests that modules be installed in the working environment with the temperature of -20 to 46 which is the monthly average highest and lowest temperature of the installation places. The extreme working environment temperature for modules is -40 to 85.

Make sure that installed modules do not suffer wind or snow pressure that exceeds the permissible maximum load.

Modules shall be installed in places free from shades throughout the year. Make sure there are no light-blocking obstacles in the installation places.

Carry out lightning protection for modules installed in places with frequent lightning and thunder.
 Do not install modules in places with possible inflammable gases.

Modules can not be used in environments with too much hails, snows, flue gas, air pollution and soot or in places with strong corrosive substances such as salt, salt mist, saline, active chemical steam, acid rain, or other substances corroding modules, affecting module safety or performance.

Please take protective measures to ensure reliable and safe installation of modules in severe environments such as heavy snow, cold and strong winds or islands close to water and salt mist or deserts.

Selection of tilt angles

Tilt angle of modules: Included angle between module surface and horizontal surface; the module will obtain the maximum power output in direct facing of sunlight.
 Modules are preferred to be south-facing in the north hemisphere and north-facing in the south hemisphere.

A specific installation angle shall be determined according to installation guide for standard modules or suggestions from PV module installer.

V-TAC suggests that module installation tilt angle be no less than 10° so module surface dust can be washed away easily by rainfall and times of cleaning can be reduced. And it is easy for ponding to flow away and avoid water print on the glass due to long time of water ponding which may further affect module appearance and performance.

Mechanical installation

Regular requirements

Make sure that module installation mode and bracket system are solid enough to bear the expected load, which is requisite assurance that the bracket installer must provide. Installation bracket system shall be tested and inspected by the third party testing institution with static mechanical analysis capacity in accordance with local national or international standards.

Module bracket shall be made from durable, corrosion resistant, ultraviolet proof materials.

Modules shall be fixed on the bracket solidly.
 Use higher brackets in places with heavy snow accumulation so the lowest point of modules will not be covered by snow for a long time. In addition, make the lowest point high enough so as to avoid sheltering of vegetations and woods or damage of flying sands and stones.

If modules are installed on brackets parallel to the roof or wall, the minimum gap between the module frame and the roof/wall shall be 10cm for air ventilation so as to prevent module line damage.

Do not make holes on glass or frame of modules.
 Make sure the building is suitable for installation before installing modules on roof. Moreover, seal permeable parts properly to prevent leakage.

The module frame has thermal expansion and cold contraction so the frame interval between two adjoining modules shall be less than 10mm.
 Make sure that back plate of modules will not contact bracket into the module or building structures, especially when the module surface is imposed by pressure.

V-TAC Solar Modules have been certified for a maximum design static load on the back of the Modules of up to 1600Pa*1.5 (i.e. wind load) and a maximum design static load on the front of the Modules of up to 3600Pa*1.5 (i.e. wind and snow load), depending on the clamp mounting (please refer to follow installing data for this information). And this is printed on the label of modules.

Module installation methods can not lead to electrochemical corrosion between module aluminum frame and different metals. Electrochemical potential difference of contacting metals shall not exceed 0.6V as is recommended in IEC61730 Appendix Flat Plate Photovoltaic Modules and Panels.
 Metals can be installed horizontally or vertically.

Way of installation

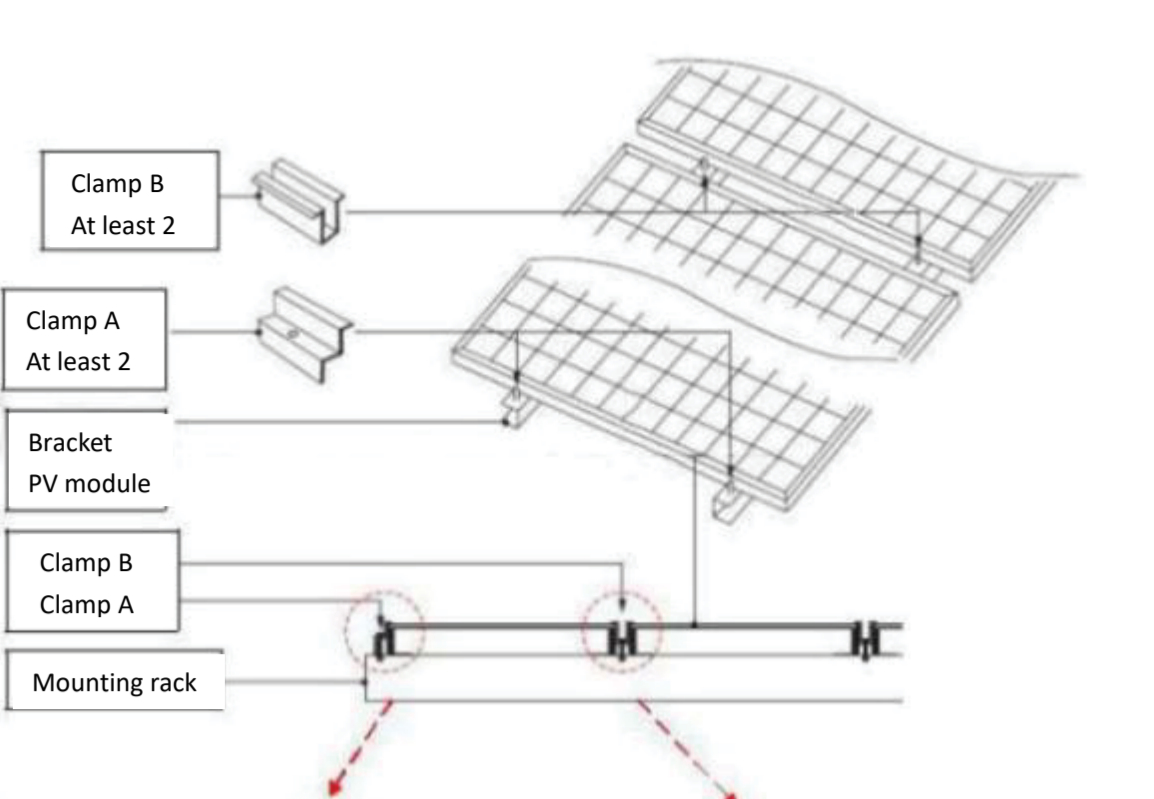
Module and bracket system connection can be realized by clamp or embedded systems. Installation shall follow the demonstration and suggestions below. If installation mode is different, please consult V-TAC and approval. Otherwise, modules may be damaged and quality warranty will become invalid.

Use clamps to install modules

Use the special clamp to install modules. See Figure 3.
 A. Fix modules on the bracket by metal clamp. The following clamps or those clamps recognized by module system installer are recommended.

Width: no less than 40mm;
 Thickness: no less than 3mm;
 Material: aluminum alloy;
 Bolt: M6.

B. Torque range for bolt fastening: 18N•m to 24N•m
 C. The clamp shall not contact glass or make module frame deformed in any case. The contactingsurface of the clamp and frame front side shall be neat and smooth. Otherwise, frame and module may be damaged. Make sure that the clamp will not produce shading effect. Drain holes can not be sheltered by the clamp.



Clamp A for tail end module edge Clamp B for middle modules

Figure 3 Clamp Illustration (unit: mm)

Grounding by unoccupied mounting holes

Mounting holes on modules that are not occupied can be used for installing grounding devices.
 1. Align grounding clamp to the frame mounting hole. Use grounding bolt to go through the grounding clamp and frame.
 2. Put the tooth side of the washer on the other side and fasten the nuts. The recommended torque for nut fastening is 2.0N•m to 2.2N•m.
 3. Put grounding lines through the grounding clamp and grounding wire material and dimension shall meet requirements in local national and regional law and regulations.
 4. Fasten bolts of grounding lines and installation ends.

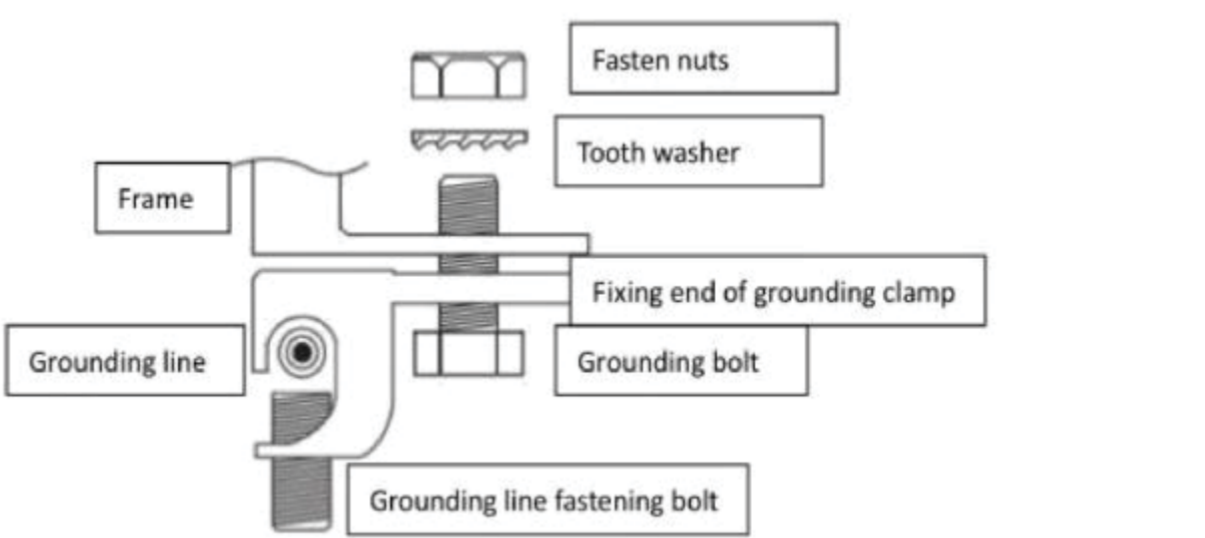


Figure 7 Way of Installation

The third party grounding devices

The third party grounding device can be used for grounding of V-TAC modules but such grounding shall be proved to be reliable. Grounding device shall be operated in line with stipulations of the manufacturer.

Operation and maintenance

Carry out regular inspection and maintenance for modules and this is the user' responsibility within the quality warranty period in particular; and, inform the supplier within two weeks when modules are found to be damaged.

Cleaning

Accumulated dust on module surface glass will reduce the power output and lead to local heat spot, such as industrial waste water and birds droppings. The degree of influence is determined by transparency of wastes. Small amounts of dust will affect sunlight strength and evenness but are not dangerous and power will not be reduced remarkably in general.
 During operation of modules, there shall be no environmental factors projecting shades or shelter partial or the entire module, including other modules, module system bracket, birds, dust, soil or plants. These will reduce output power. V-TAC suggests that the module surface should not be sheltered in any case.
 Frequency of cleaning depends on dirt accumulation speed. In normal situations, rainwater will clean the module surface and the cleaning frequency is reduced therefore. It is suggested to use damp clean water sponge or soft cloth to wipe the glass surface. Do not use acid and alkaline detergents to clean modules.



IN CASE OF ANY QUERY/ISSUE WITH THE PRODUCT, PLEASE REACH OUT TO US AT: SUPPORT@V-TAC.EU
 FOR MORE PRODUCTS RANGE, INQUIRY PLEASE CONTACT OUR DISTRIBUTOR OR NEAREST DEALERS.
 V-TAC EUROPE LTD. BULGARIA, PLOVDIV 4000, BUL.L.KARAVELOV 9B