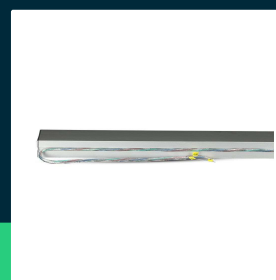
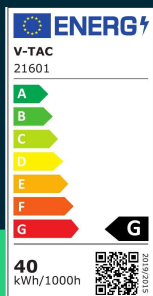


**LED linear light SAMSUNG CHIP 40W hanging suspension
silver body 6500K 1200x35x67mm**

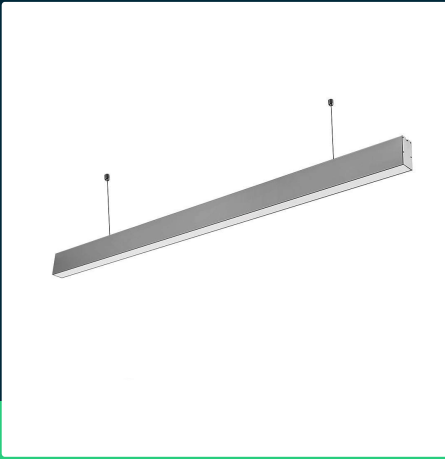
SKU 21601 EAN 3800157693844 VT-7-40-S-N

Related products (SKUs): ---



TECHNICAL SPECIFICATION

| | | | | | |
|--------------------|------------------------|-------------------------|-----------------|-----------------|---------------|
| Power | 40W | CRI | 80+ | Volume | 0,005066 |
| Luminous flux (lm) | 3300 lm | Material | Aluminium | Pack length | 80mm |
| Light color | Cool white | Housing color | Grey | Pack width | 40mm |
| Color temperature | 6500K | Type | Suspended | Pack height | 1280mm |
| Beam angle | 120° | Dimming | NIE | Master carton | 12 |
| Voltage | 230V | IP rating | IP20 | Brand | V-TAC |
| SKU | SKU 21601 | Ignition time (100%) | 0.001s | Warranty | 5y |
| EAN barcode | 3800157693844 | Color consistency | <6 | Certifications | CE, EMC, ROHS |
| Product code | VT-7-40-S-N | Declared intensity (cd) | 1273.23 Cd Max. | Efficacy (lm/W) | 85 lm/W |
| Energy class | G | On/Off cycles | >20000 | ETIM | EC001951 |
| Base | Integrated LED fixture | Operating conditions | -20° +45° | CN code | 8539 51 00 |
| LED module type | SAMSUNG | Size | 1194x35x67mm | EPREL | 1392194 |
| Lifetime | 30000h | Length | 80 mm | | |
| Input voltage | 200-240V | Width | 40 mm | | |
| Frequency | 50Hz | Height | 1280 mm | | |
| Power factor | >0,9 | Product weight | 2 | | |

**LED linear light SAMSUNG CHIP 40W hanging suspension
silver body 6500K 1200x35x67mm**

SKU 21601 EAN 3800157693844 VT-7-40-S-N

Related products (SKUs): ---

Product description

- Linear hanging lamps. Excellent heat dissipation
- Possibility to connect up to 12 meters
- A perfect replacement for traditional linear lighting fixtures thanks to the efficient Samsung LED
- Cable 150cm
- Available in three colors, black, silver and white

GPSR Information

- Manufacturer: V-TAC Europe Ltd. Address: bul. "Rozhen" 41, 1271 Sofia, Bulgaria, office@v-tac.eu
- Importer: V-TAC Europe Ltd. Address: bul. "Rozhen" 41, 1271 Sofia, Bulgaria, office@v-tac.eu
- Distributor and importer in Poland: Led Europe Sp. z o.o. Address: ul. Starorudzka 12E 93-491 Łódź, Poland, biuro@led-europe.pl
- Documents confirming compliance of products with applicable safety standards are available on the website www.v-tac.eu. If the required documentation is not available, please contact the local distributor: biuro@led-europe.pl
- If you have any problems with the product, contact the distributor in Poland: biuro@led-europe.pl
- Country of production: China